



STURM, RUGER & Company, Inc.

Southport, Connecticut 06890 U.S.A. • www.ruger.com

ALL RUGER FIREARMS ARE DESIGNED AND MANUFACTURED IN OUR OWN FACTORIES IN THE UNITED STATES OF AMERICA

INSTRUCTIONS FOR USE OF THE LOCKING DEVICE SUPPLIED WITH YOUR NEW RUGER® FIREARM

Beginning in 2003, all newly manufactured Ruger® firearms are being shipped from the factory with a new key-operated locking device. This is a California-approved firearms safety device that meets the requirements of California Penal Code Section 12088 and the regulations issued thereunder. This new locking device is designed to help you meet your responsibility to keep your firearm stored in a safe condition. This device does not relieve the firearms owner or handler from the obligation of always paying strict attention to gun safety rules.



WARNING – USE OF LOCKING DEVICES



- Read the owner's manual supplied with your firearm before attempting to install your locking device. (Manuals are available free online at www.ruger.com or upon request from Sturm, Ruger.)
- Always keep your firearm pointed in a safe direction, including when you are installing or removing your locking device.
- Always verify that your firearm is completely **unloaded** before installing your locking device.
- Do not install locking devices in the trigger guard; always keep your fingers, clamp and locking device outside the trigger guard during device installation and removal.
- Store firearms, ammunition and keys separately and securely, away from children and careless adults; do not store your firearm with the keys in the locking device.
- Do not attempt to work the action of your firearm with the locking device in place; this may damage your firearm.
- While locking devices are an important aid to security measures, they are not a substitute for safe firearm handling and proper storage. Remember that any mechanical device can be bypassed with enough time, knowledge, determination and equipment.

LOCKING DEVICES MUST BE USED SAFELY AND RESPONSIBLY

Use the Correct Lock: While the basic locking device is substantially similar for all Ruger® firearms, due to the different shapes of the many Ruger® firearms, some firearms require the use of a clamp (black metal bracket to which the lock is applied). This 2 1/2" lock is for use with the following Ruger® firearms: GP100, SP101 (.38 and .357 *only*) double action revolvers; and New Model Blackhawk, New Model Super Blackhawk (except .30 Carbine models), New Model Super Blackhawk Hunter, New Vaquero, Bisley, Bisley-New Vaquero single action revolvers; Red Label shotguns; M77 Mark II and M77 Hawkeye rifles; and Model 77/17, 77/22, and 77/44 rifles. If you were not provided a clamp, none is required. **It is very important that you use the correct locking device and clamp when locking your Ruger® firearm!**

— **See Other Side For Additional Instructions & Important Safety Warnings** —

Ruger® 5025 (2.5" x 50mm) – For Ruger® GP100, SP101 (.38 and .357 only) Double Action Revolvers; and New Model Blackhawk, New Model Super Blackhawk (except .30 Carbine models), New Model Super Blackhawk Hunter, New Vaquero, Bisley, Bisley-New Vaquero Single Action Revolvers; Red Label Shotguns; M77 Mark II and M77 Hawkeye Rifles; and Model 77/17, 77/22, and 77/44 Rifles *Only*

To Install the Factory-Supplied Locking Device on Your Ruger® Firearm:

1. **Keep the muzzle pointed in a safe direction and your fingers outside the trigger guard at all times!**
2. **Be sure the firearm and its magazine or cylinder are completely unloaded and contain no cartridges or cartridge cases! Remove the magazine from your firearm if so equipped.**
3. **For Revolvers:** completely remove (single action) or swing out (double action) the cylinder.
For Single Action Revolvers only, loop the shackle through the cylinder window in the frame (see Figure 1). Next slip the cylinder onto the shackle of the lock as shown in Figure 1.
For Double Action Revolvers only, apply the lock to the cylinder as shown in Figure 2.
Skip to Instruction 5.
4. **For Rifles and Shotguns:** open the action completely. Use the bolt hold-open or slide latch (if your firearm is so equipped) to keep the action open during installation of the locking device.
Apply the lock by placing the shackle of the lock onto your specific model firearm as shown in Figures 3, 4 or 5.
5. Close the lock by pressing the shackle into the body of the lock (the part that receives the key) as tightly together as possible. The lock has bumpers and the shackle is coated with a non-marring material that will not harm the metal finish of your firearm; be careful not to dent or scratch wooden stocks or grips.
6. Once the lock is securely closed, remove the key and pull firmly on the lock to test the connection and be sure it is locked. **Do not leave or store your firearm with the key in the lock!** Store your locked unloaded firearm and the key in secure, separate locations, away from ammunition, children, or unauthorized adults.

Remember that secure and safe firearms storage is an important responsibility that comes with your ownership of firearms. You may obtain a list of locking devices available for purchase at your local firearms retailer that have been tested and certified by California-approved laboratories for use with other firearms by contacting the California Department of Justice at (916) 322-3360 or visit their website at <http://caag.state.ca.us>. If you have any questions about what are legally appropriate locking devices in your state, or about local laws concerning safe storage requirements for firearms and ammunition, please contact your local police.

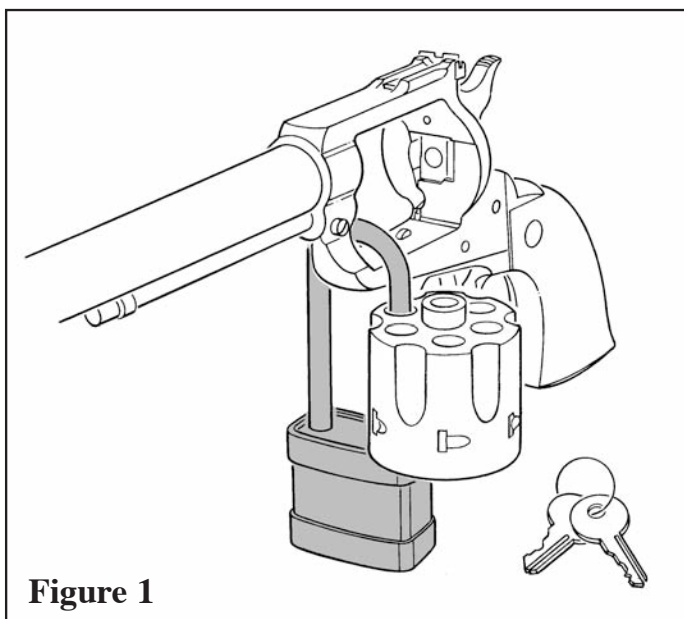


Figure 1

For Ruger® Single Action Revolvers Only

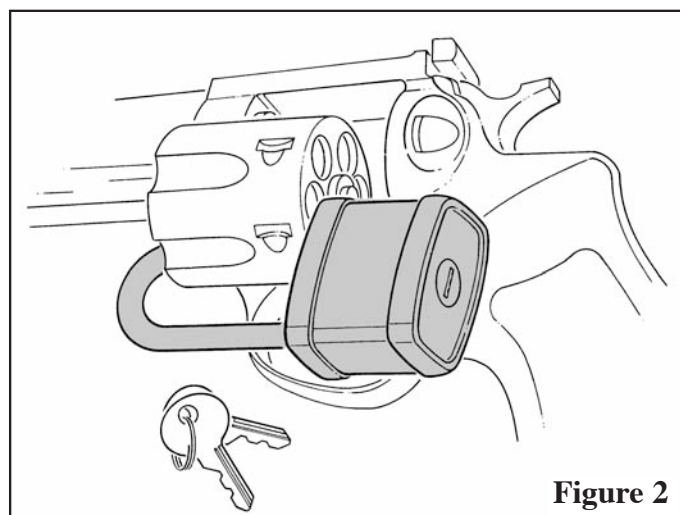


Figure 2

***For Ruger® GP100 & SP101 (.38 and .357 only)
Double Action Revolvers Only***

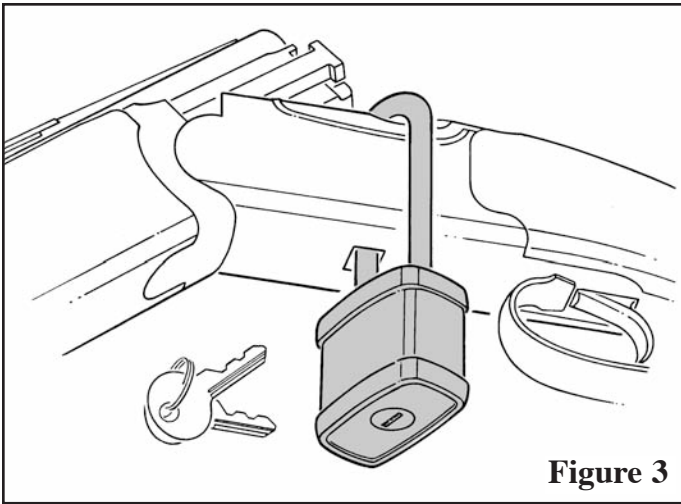


Figure 3

For Ruger® Red Label Shotguns Only

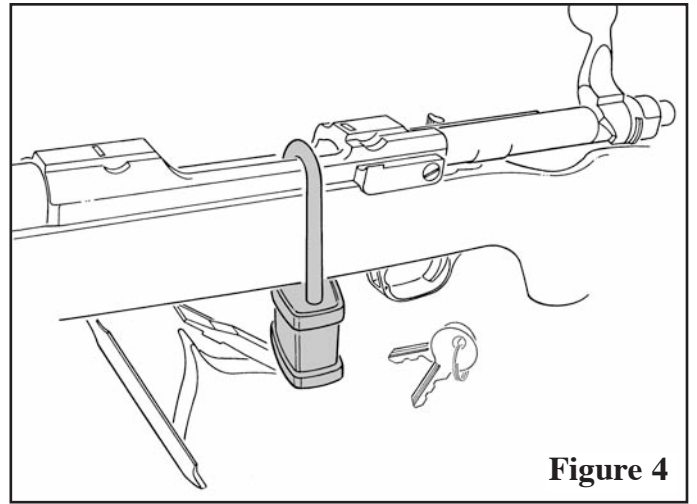


Figure 4

*For Ruger® M77 Mark II
and M77 Hawkeye Rifles Only*

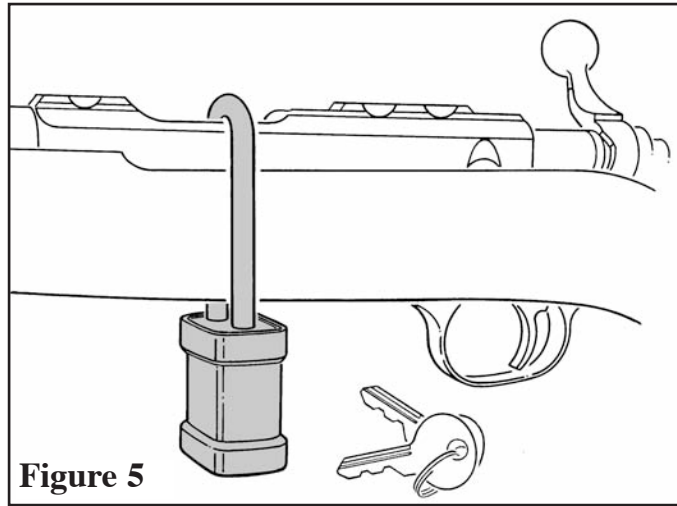


Figure 5

*For Ruger® Model 77/17, 77/22
or 77/44 Rifles Only*